

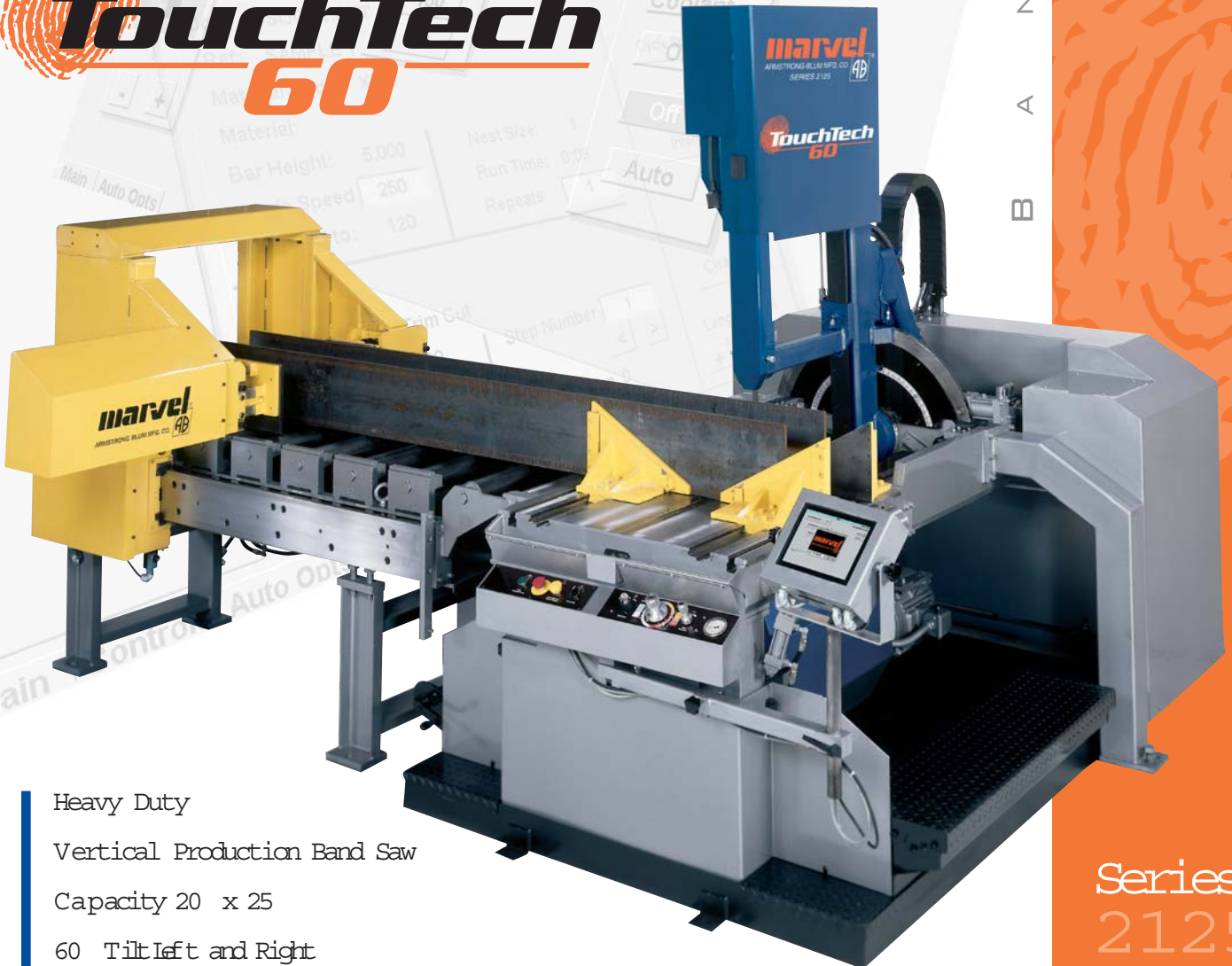
Armstrong-Blum Mfg. Co.

marvel[®]

QUALITY MACHINES

S
W
A
S
D
Z
A
B

TouchTech 60



Heavy Duty

Vertical Production Band Saw

Capacity 20 x 25

60° Tilt Left and Right

Servo Drive Bar Feed

Series
2125

Armstrong-Blum Mfg. Co.

marvel[®]

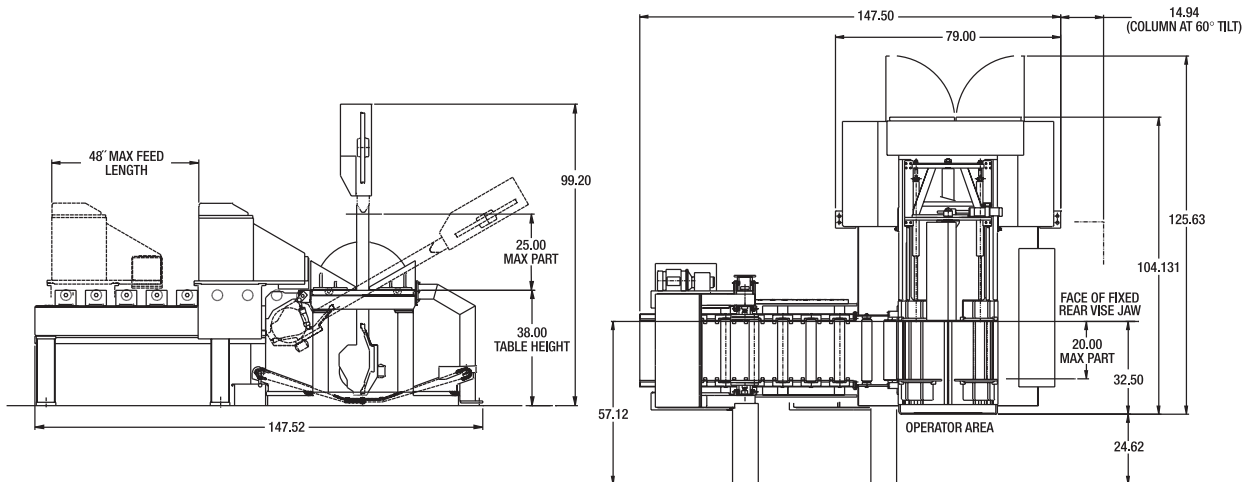
SERIES 2125

TouchTech 60

SPECIFICATIONS AND DIMENSIONS

Capacity	20 x 25	508 mm x 635 mm
Capacity @ 45	20 x 17	508 mm x 432 mm
Capacity @ 60	20 x 11.25	508 mm x 285 mm
3 Degree Canted Column	Standard	
Programmable Touch Screen	Standard	
Windows Nifi based Intuitive Control		
Tilt	Hydraulic 0 - 60 Left and Right	
Drive Motor	7.5 h.p.	5.6 kw
Blade Drive	Sensorless Vector Control	
Blade Size	1.25 x 0.042 x 17'-'-6 Long	31.75mm x 1mm x 5334mm long
Blade Speed	30 - 650 FPM	9 - 200 m/min
Blade Guides	Self Clamping - Carbide/Roller	
Blade Tension	Adjustable - 45,000 PSI MAX	310 MPa
Vises	Hydraulic Full Stroking	
Variable Vise Pressure	Optional	
Interchangeable Vise Jaws	45 /60 Faceplates Standard	90 jaws/faceplates optional
Feed Force	0 - 350 lbs.	0 - 1560 N
Index Length	48	1220 mm
Wheel Diameter	23	584 mm
Machine Table	Cast Iron/2 T-slots	
Upper Guide Arm	Hydraulically Adjustable and Locking	
Control Voltage	24 Volts DC	
Column Travel	Recirculating Linear Ball Ways	
Work Light	Standard	
Coolant Capacity	60 Gal	227 Liter
Blade Cleaning Brush	Standard - Friction Drive	

Specifications are subject to change without notice.



M a r v e l T o u c h T e c h 6 0

SERIES 2125

TouchTech 60

The TouchTech 60 -Series 2125 is the latest in the long line of quality Marvel sawing machines manufactured by Armstrong-Blum Mfg. Co.

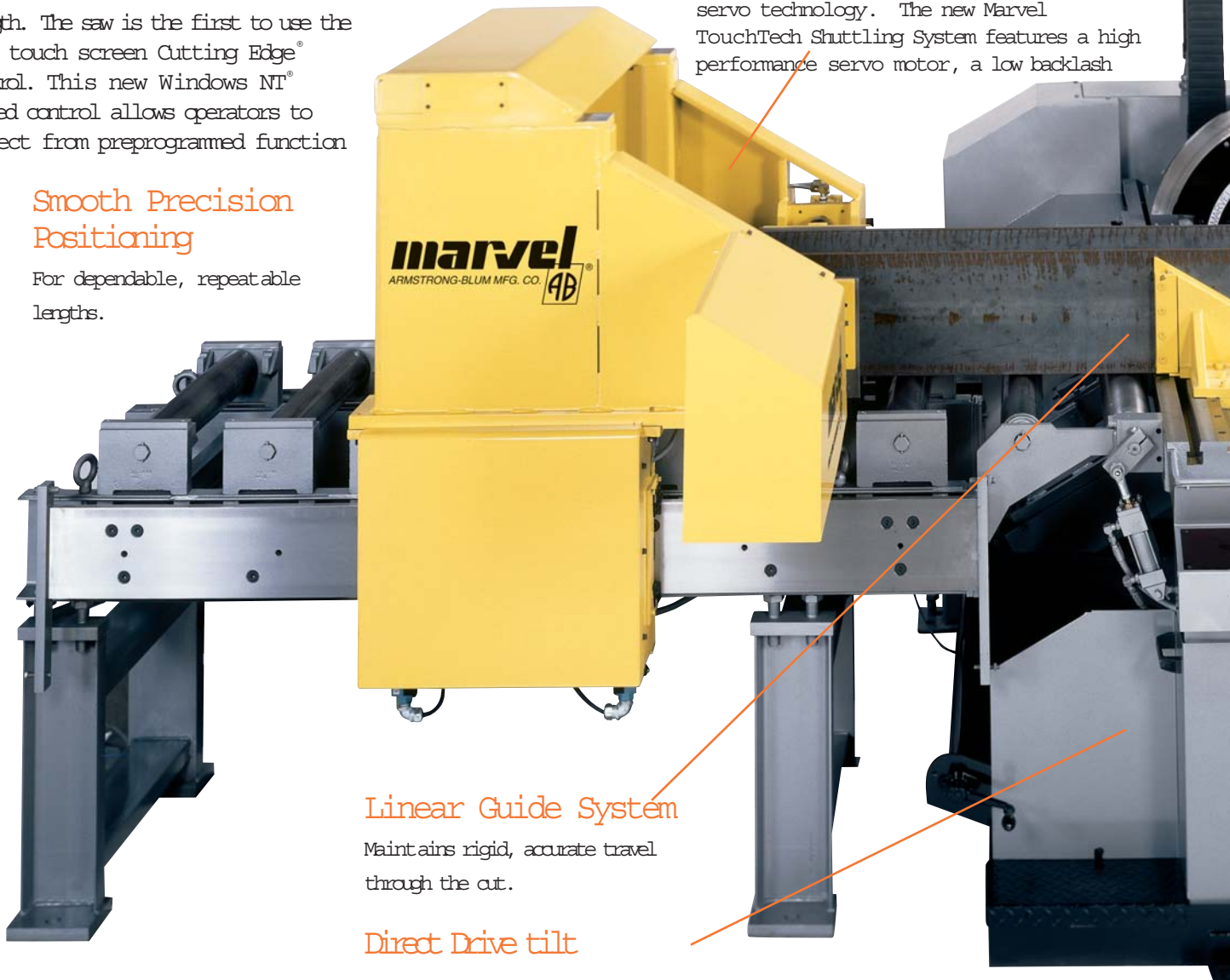
The Marvel Series 2125 production vertical bandsaw is the first of a new family of machines built on a central design platform. The Series 2125 is designed for high production and versatility. Standard features include a capacity of 20 x 25 inches, 60 degree mitering both left and right, a 3 degree forward canted blade, vector control electric blade drive and an automatic servo drive bar feed with 48 inch index length. The saw is the first to use the new touch screen Cutting Edge® control. This new Windows NT® based control allows operators to select from preprogrammed function

Smooth Precision Positioning

For dependable, repeatable lengths.

48 Automatic Servo-Drive Index

The same servo technology used in machine centers is now utilized to position saw materials. Tests show significant improvements in part positioning time as compared to older technology. This enhancement comes from a combination of faster index speeds (60 FPM) and improved positioning controls available from today's servo technology. The new Marvel TouchTech Shuttling System features a high performance servo motor, a low backlash



Linear Guide System

Maintains rigid, accurate travel through the cut.

Direct Drive tilt encoder

Provides consistent positioning throughout the 120 degrees of travel.

High Production Blade Drive

Sensorless Vector Control maintains

Some safety equipment may have been removed or opened to illustrate products clearly and must be in place, and functioning, prior to operation.



Unique Cam link tilt design

Offers smooth, rapid, and accurate tilting (both left and right) for your wide array of cutting



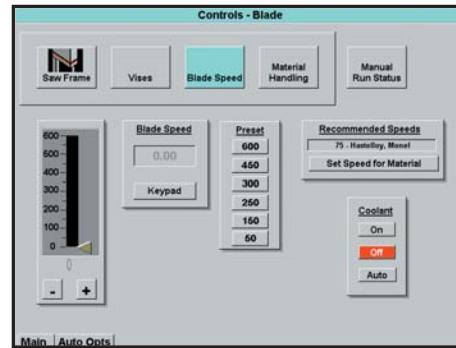
Full Stroke Hydraulic Vises

Interchangeable face plates are standard equipment on the TouchTech 60 and

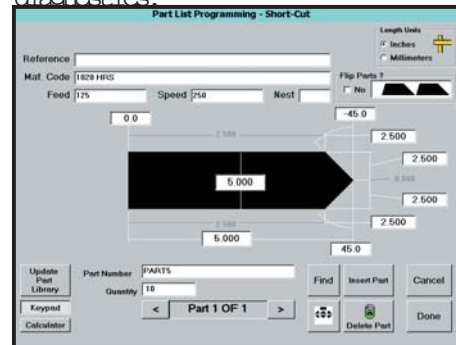
Touch Screen Control

Armstrong-Blum Mfg. Co. is the first to use the new touch screen Cutting Edge[®] control. Settings can easily be set or fine tuned through the touch screen using factory presets, a +/- selector or keypad. The programming of automatic jobs includes a diagram of the finished part illustrating the length and degree of any miters, and is created on screen as the parameters are chosen. This new control and software package offers increased flexibility and customization, combined with simplicity and ease of operation.

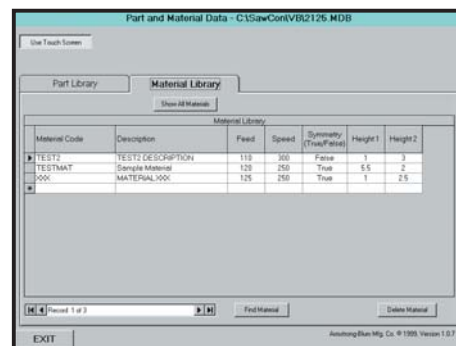
Windows NT[®] touch screen control



Intuitive Touch Screen (above) provides all the control settings and diagnostics.



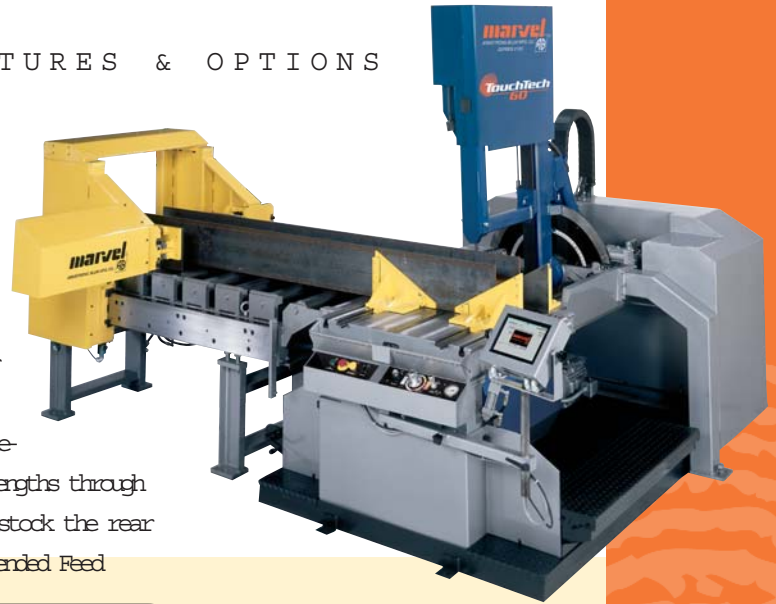
Select and save job setups for different materials, speeds and sizes in one user-friendly window.



Build and maintain your part inventory. Touch screen control uses part description to build and store customer database with

48 Automatic Index

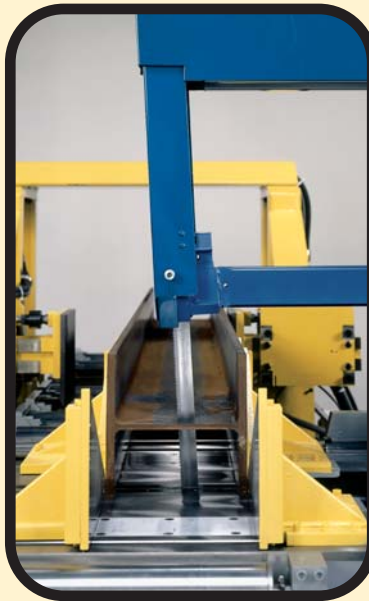
Machine Tool Servo Technology is now available for the Series 2000 Marvel Vertical Bandsaw. Faster indexing and improved positioning controls provide for shuttle travel of 60 FPM with improved accuracy while greatly reducing cycle times. The Heavy Duty Shuttle Conveyor also features a servo motor, a low backlash gearbox, a precision gear rack, and a direct drive encoder. This state-of-the-art index system also includes reduced remnant lengths through the use of offset vise jaws. To accommodate for crooked stock the rear jaws have also been made bi-directional. Optional Extended Feed



Electrical Control

Panel

All 24 volt saw controls are conveniently located in a large, well-organized cabinet. Reliability is ensured through the Control Panel's vibration isolation mounting. The panel includes controls for the drives,



3 Canted Head

Standard features such as a 3 canted blade and direct blade drive provide consistent high production cutting. Smooth, accurate mitering is guaranteed with a direct drive encoder and can link hydraulic tilt design (patent pending). The column travels on recirculating linear ball ways ensuring straight

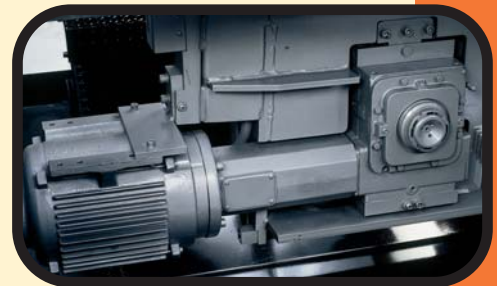


Blade Guides

Accuracy cut after cut is ensured with the combination carbide/roller guides. Our self-adjusting, zero clearance blade

Vector Control Blade Drive

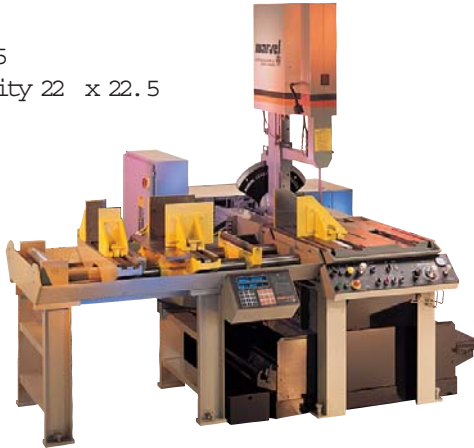
The TouchTech 60 blade drive gives your operation a saw with power and control. The blade drive contains sensorless vector control allowing for superior speed and torque delivery (maintains full torque at even the lowest speeds to cut the bigger, tougher jobs). Our wide speed range (30-650 FPM) is standard with this blade drive and creates an aggressive, although quiet, sawing environment. The



marvel®

QUALITY MACHINES

MV525
Capacity 22 x 22.5



Series 81
Capacity 18 x 20



Armstrong-Blum Manufacturing Company Quality Statement

Armstrong-Blum Mfg. Co. is committed to meet or exceed our customers expectations by providing them with dependable quality products and services. To help accomplish this commitment, we will provide an environment for all customers, suppliers and employees that promotes continuous



marvel



Series 8 Mark II
Capacity 18 x 22



Series 25
Capacity 25 x 28



CORPORATE OFFICE AND SERVICE CENTER
3501 MARVEL DRIVE
OSHKOSH, WI 54902
(920) 236-7200 FAX (920) 236-7209
1-800-4-SAWING (1-800-472-9464)

SALES AND SERVICE CENTER / WAREHOUSES
FORT WORTH, TX 1-817-535-2183 FAX 1-817-531-1163
KENT, WA 1-253-854-8588 FAX 1-253-854-8589
MANUFACTURING FACILITIES ARE IN OSHKOSH, WI.
DIRECT SALES MANAGERS AND TECHNICAL SPECIALISTS IN MAJOR CITIES

www.sawing.com

e-mail abinfo@sawing.com